

SECTIS DESIGN

Where Art and Design Meet™

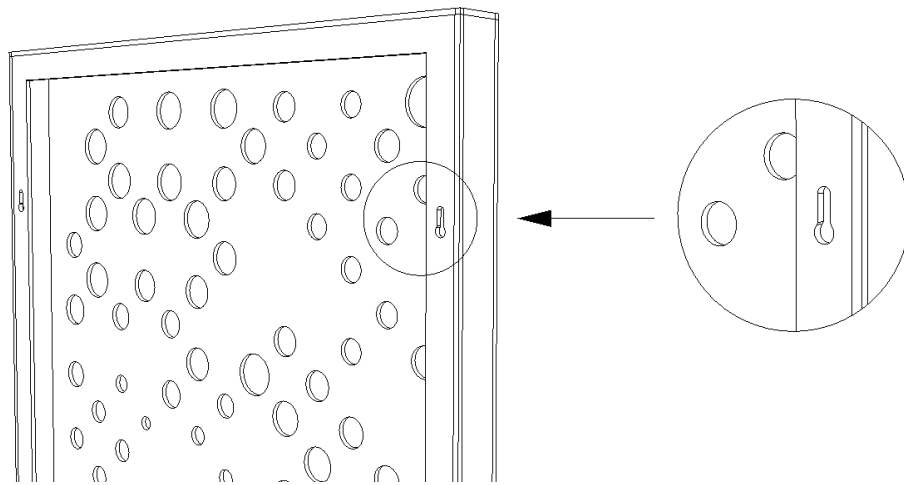
Sectis Metal Panels Data Sheet.

Description.

Sectis metal panels are made of 4mm Alucobond ACM (Aluminum Composite Material), and have a standard thickness of 2" and a 4x2' and 8x4' formats. Customs sizes and shapes available upon request.

Wall Attachment.

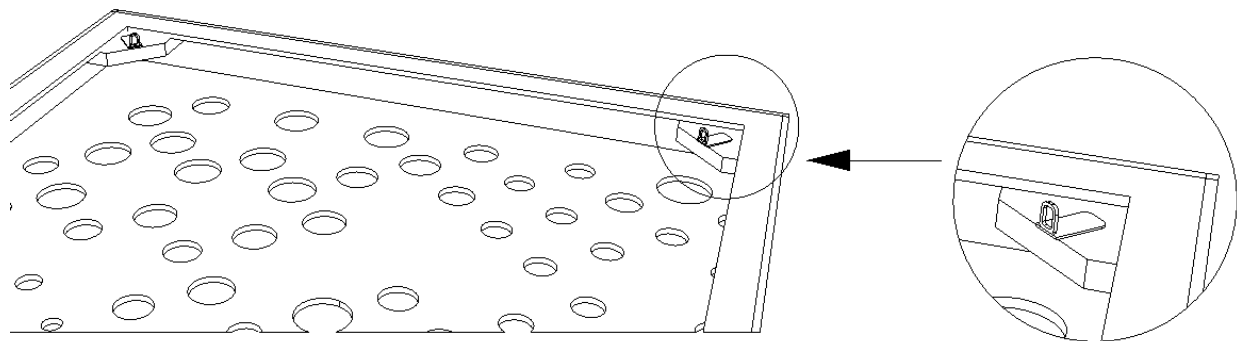
The metal panels are hung to the wall using a keyhole cutout on the back. A template for screw placement is sent along the panels for easy markup. No blocking is required, as traditional drywall and concrete anchors can hold up to 75 lbs. each.



Ceiling Attachment.

The metal panes are hung from the ceiling on two different methods.

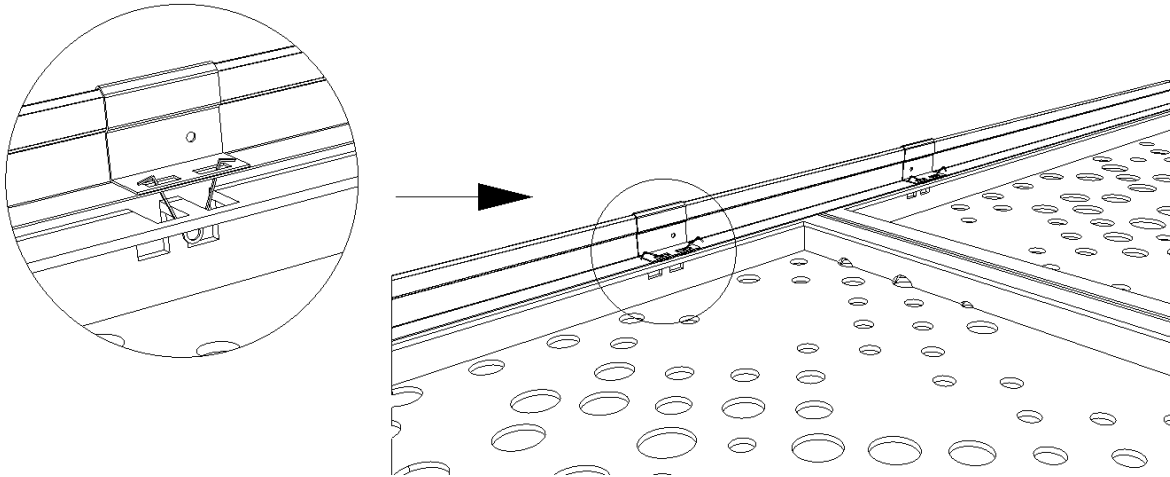
1. D-rings located on the corners of the panels to secure cables dropping down from the ceiling. Cables not provided by Sectis, and should be part of the installation scope.



SECTIS DESIGN

Where Art and Design Meet™

2. Torsion Springs and Tbar connectors for suspension on 15/16 T-bar ceiling grids. Torsion springs and T-bar connectors provided by Sectis. 15/16" T-bar grid to be part of the installation scope.



Finishes.

There are 95+ colors available, and custom RAL colors are available upon request and on projects over 2500 SQF

Acoustics.

Sectis metal panels can enhance acoustic using our felt backers to be installed inside the panels.

Backlit

Sectis metal panels are offered with a backlit option using LED sheets for an even light feature.

Weight.

Sectis metal panels weight around 2.5lb SQF.

Fire Rating.

Alucobond is an ASTM E 84 - 10 Class A fire rated material.