

# SECTIS DESIGN

Where Art and Design Meet™

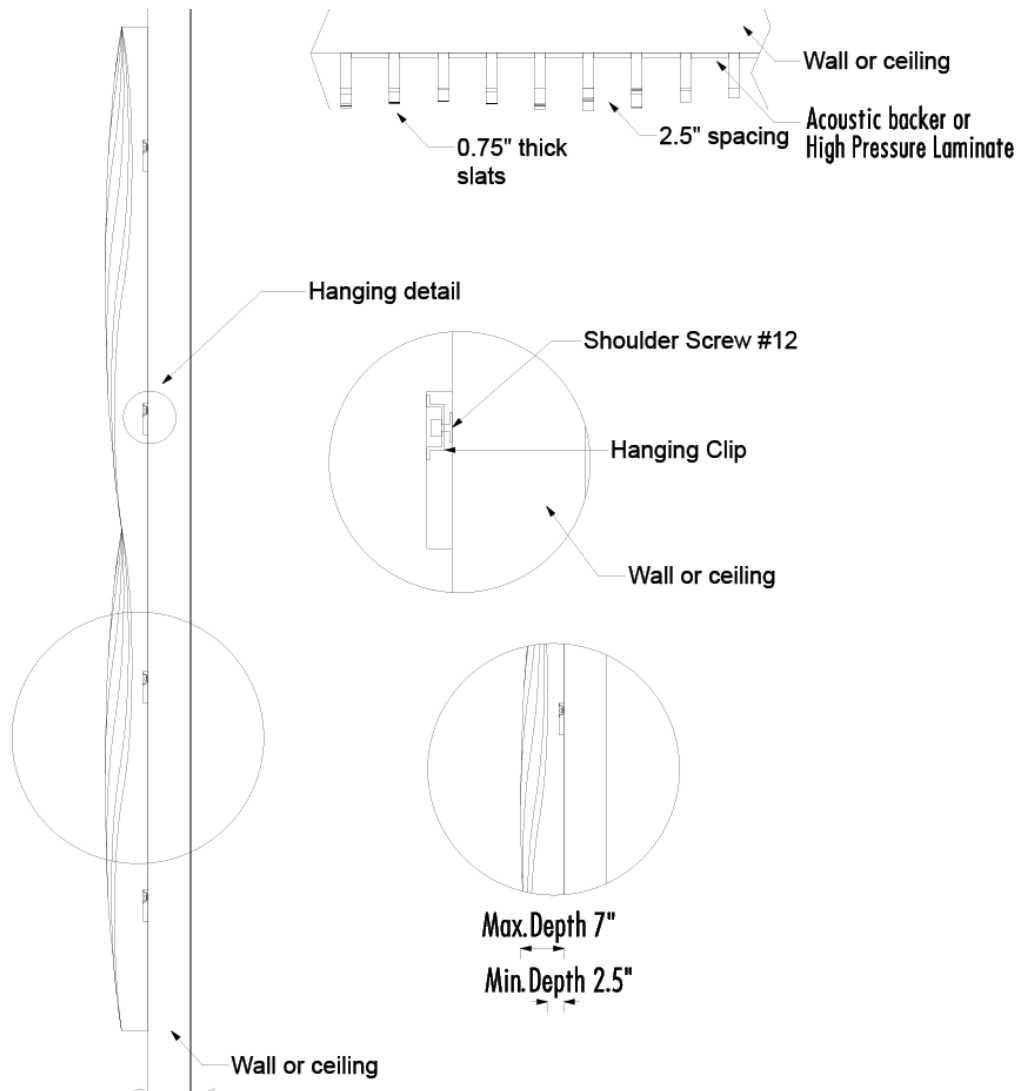
Sectis Parametric Slats Data Sheet.

## Description.

Sectis Parametric Wood Slats are made of members 8' long, .75" thick, with a maximum depth of 7" and a minimum depth of 2.5". There is a 2.5" space between them. Custom designs and spacing available.

## Direct Attachment to wall or ceiling

Each slat has four clips on the back. The clips will lock into a shoulder screw (one per clip) on the wall. The shoulder screw is attached to the wall using a template (included) for accurate positioning. A 3/8" plywood backer directly behind the drywall is recommended for easier installation. It can be substituted using drywall anchors for #12 screws, with a face no larger than 5/8" in diameter so it is hidden behind the slat. The acoustic or High Pressure Laminate backer will be attached to the wall with finishing nails.

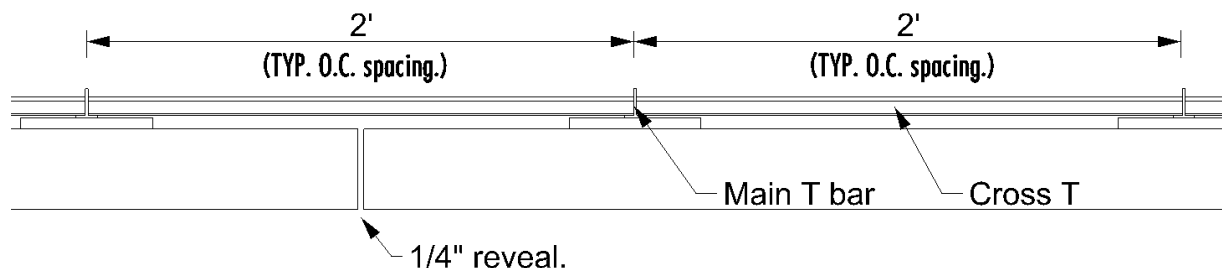
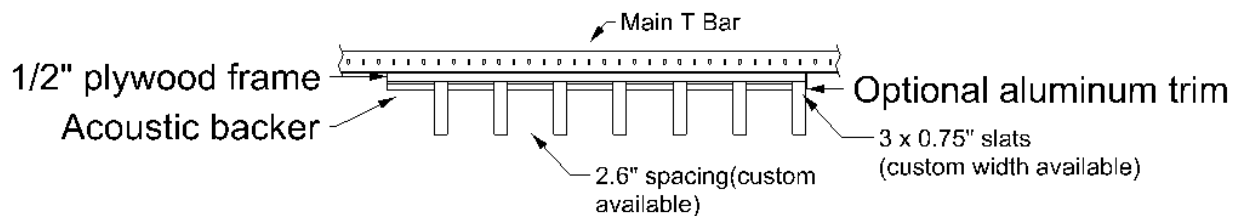
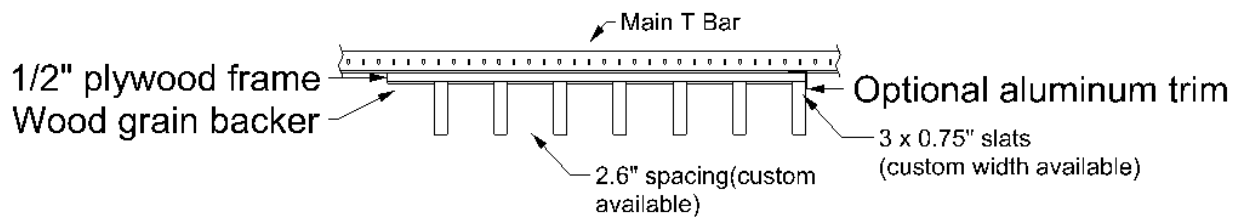
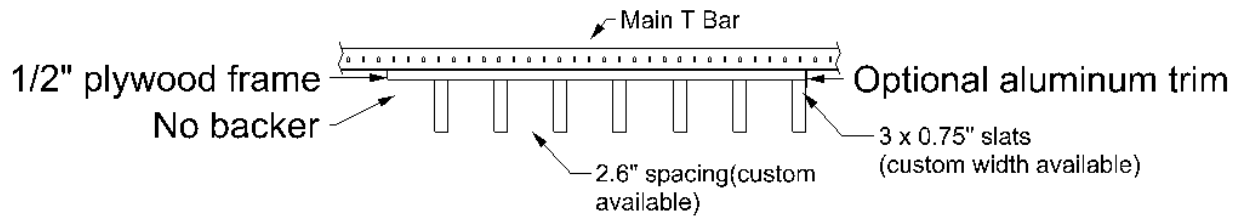


# SECTIS DESIGN

Where Art and Design Meet™

## Cross Backer Ceiling Attachment to T bar Grid

They are attached fastening directly through the backer into the heavy-duty main T-bars from a standard T bar grid. The main T should be perpendicular to the members. Plywood backers are 2' center to center to align with main T bars.

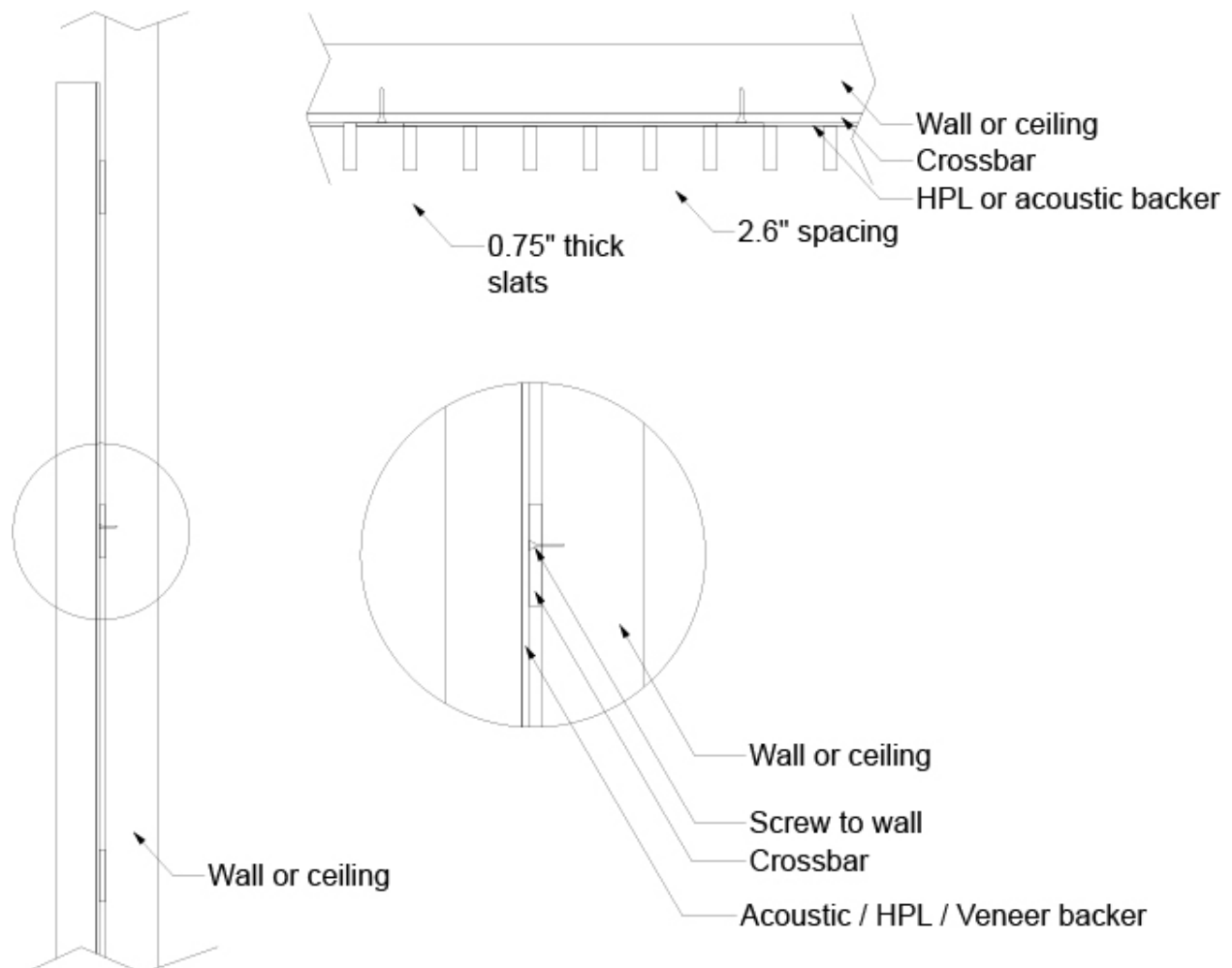


# SECTIS DESIGN

Where Art and Design Meet™

## Cross Backer Direct wall or ceiling attachment

They are attached fastening directly through the backer into the wall or ceiling, using the correct anchoring system. For ceiling applications it is recommended that the screws go into the ceiling studs or a plywood blocking is installed behind the drywall.



## Materials.

Slats are made of Particle Board with melamine, MDF with HPL laminate or MDF with natural veneers.

# SECTIS DESIGN

*Where Art and Design Meet™*

## **Finishes.**

There are 35 colors available for the melamine and HPL. Natural veneers can be stained to any tone.

## **Acclimatization.**

To acclimate MDF or Particle board to its intended indoor environment, it is recommended to store the MDF in the room where it will be installed for at least 48 hours before installation. This allows the MDF or particle board to adjust to the temperature and humidity of the room. It is also important to ensure that the material is stored in a dry area and is not exposed to moisture or direct sunlight, as this can affect the moisture content of the material and impact its performance.

## **Acoustics.**

Sectis Parametric Wood Slats can enhance acoustic because of its curved shape, and also using our 9mm acoustic felt backers to be installed between the members.

## **Weight.**

Sectis Linear weights around 2.5lb SQF. Custom members or backers might increase the weight.

## **Fire Rating.**

Main members and components can be coated with Class I (A) Fire Retardant chemicals.